



Outdoor Bottle Fillers INSTALLATION/MAINTENANCE INSTRUCTIONS

Outdoor Bottle Filler Pedestal Mounted Sensor/Pushbutton Activation



M-OBF4 / M-OBFM4

**TECHNICAL ASSISTANCE TOLL FREE TELEPHONE NUMBER:
1.800.591.9360**

Technical Assistance Fax: 1.626.855.4894

NOTES TO INSTALLER:

1. Please leave this documentation with the owner of the fixture when finished.
2. Please read this entire booklet before beginning the installation.
3. Check your installation for compliance with plumbing, electrical and other applicable codes.

LIMITED WARRANTY - UNITED STATES & CANADA

Murdock warrants that its products are free from defects in material or workmanship under normal use and service for a period of one year from date of shipment from the factory. Murdock's liability under this warranty shall be discharged solely by repair or replacement of defective material, provided Murdock is notified in writing within the time periods described above.

This warranty does not cover installation or labor charges and does not apply to materials, which have been damaged by other causes such as mishandling or improper care or abnormal use. The repair or replacement of the defective materials shall constitute the sole remedy of the Buyer and the sole remedy of Murdock under this warranty. Murdock shall not be liable under any circumstances for incidental, consequential or direct charges caused by defects in the materials, or any delay in the repair or replacement thereof. This warranty is in lieu of all other warranties expressed or implied. Product maintenance instructions are issued with each unit and disregard or non-compliance with these instructions will constitute an abnormal use condition and void the warranty. Stainless steel must be protected on jobsite during construction and must be properly maintained after the water has been introduced into the water cooler or drinking fountain, or Murdock's limited warranty is void.

LIMITED EXPORT WARRANTY - One year on parts only.

Murdock™ assumes no responsibility for use of void or superseded data. © Copyright Murdock Mfg., City of Industry, CA Member of Morris Group International. Please visit www.murdockmfg.com for most current specifications.

COMPLIES WITH
STANDARDS



Test rating conditions are compliant with ARI 1010.



Member of
MORRIS GROUP
INTERNATIONAL

MURDOCK
15125 Proctor Ave.
City of Industry, CA
91746 U.S.A.
Phone 800-591-9360
626-336-4561
Fax 626-855-4894

www.murdockmfg.com

7109-602-001

Date: 11/27/17

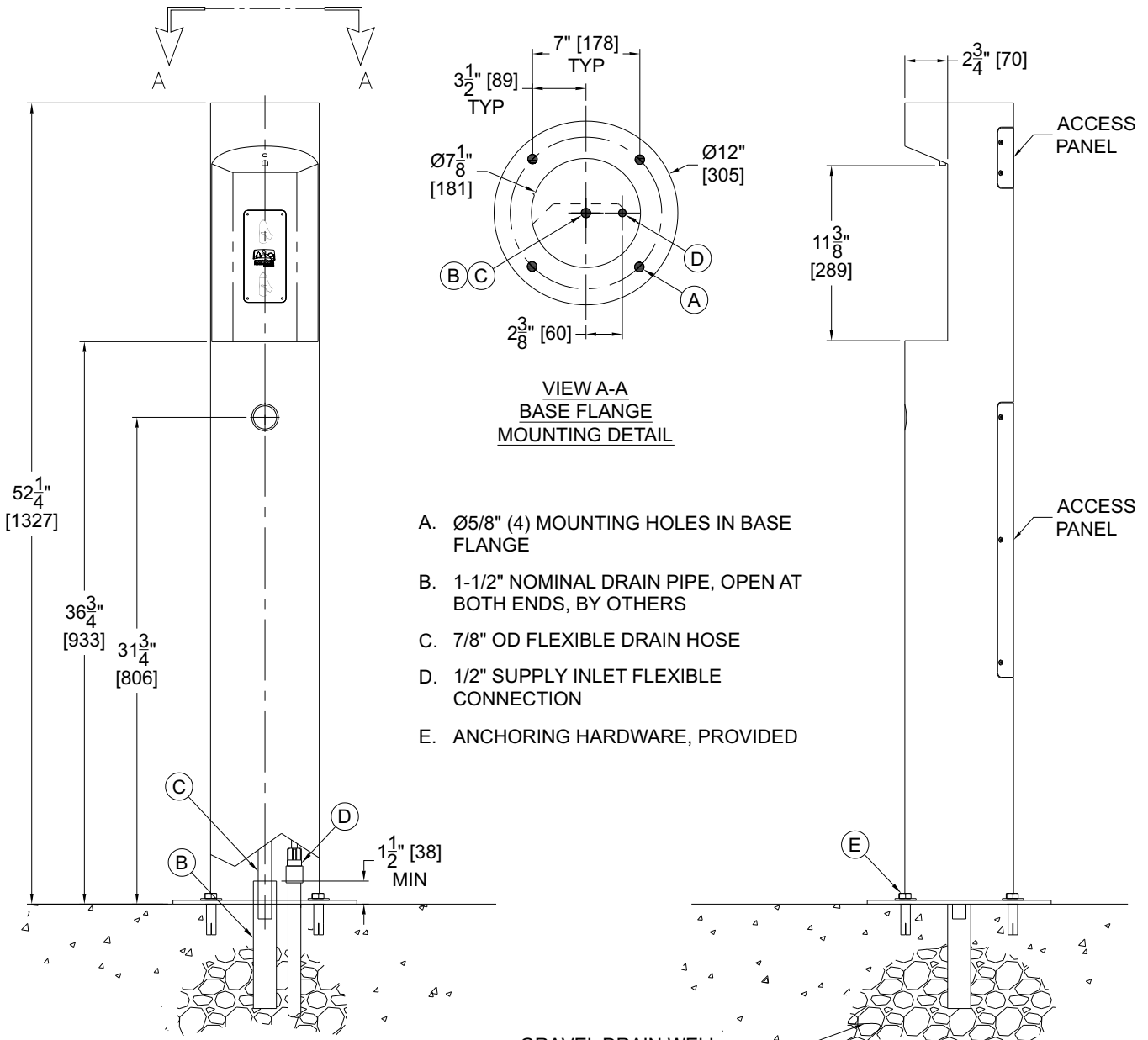


Outdoor Bottle Fillers

INSTALLATION/MAINTENANCE INSTRUCTIONS

ROUGHING-IN AND DIMENSIONAL DRAWING

Prior to roughing-in consult with local, state, and federal codes for proper installation.



- A. $\text{Ø}5/8"$ (4) MOUNTING HOLES IN BASE FLANGE
- B. 1-1/2" NOMINAL DRAIN PIPE, OPEN AT BOTH ENDS, BY OTHERS
- C. 7/8" OD FLEXIBLE DRAIN HOSE
- D. 1/2" SUPPLY INLET FLEXIBLE CONNECTION
- E. ANCHORING HARDWARE, PROVIDED

GENERAL DIMENSIONS:
 1. ALL DIMENSIONS ARE IN INCHES [MM]
 2. STOP VALVE NOT PROVIDED

GRAVEL DRAIN WELL
 3 CUBIC FEET MIN
 RECOMMENDED
 Check with water authority if soak away is allowed or connection to mains drainage is required

Please visit www.murdockmfg.com for most current specifications.



Outdoor Bottle Fillers

INSTALLATION/MAINTENANCE INSTRUCTIONS

PRIOR TO INSTALLATION:

1. Read all installation instructions carefully, before proceeding.
2. Carefully remove fixture from packaging, preventing scratching or damage.
3. Unit requires six (6) AA Alkaline Batteries.
4. Provide mounting surface, sufficient to support the fixture and loads on the fixture. Provide 30" square x 6" deep minimum concrete slab, provided by others to securely anchor fixture.
5. Provide rough-ins as shown on the roughing-in and dimensional drawing, including Water Supply, Drain Pipe and waste connection. (See page 2 for rough-in details)
6. Completely flush water supply lines of all foreign debris, before connecting to the fixture.

INSTALLATION: (see drainage & mounting roughing-in pg2)

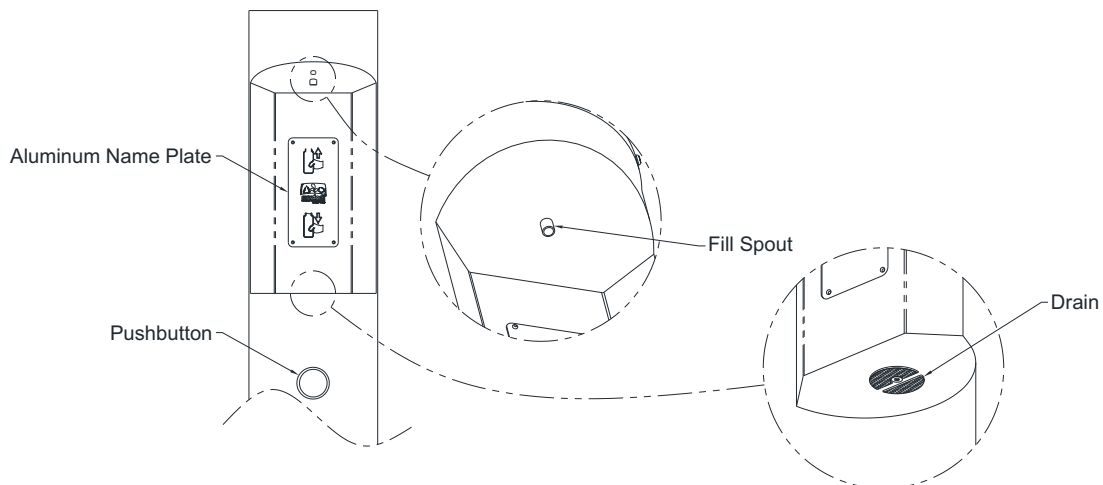
1. Locate the unit over rough-ins on the Mounting Pad, mark mounting holes in base flange.
2. Tilt the unit down on its side, next to the mounting location. Install 1/2"-13 Drop-In Anchors. Optional -IAP (In-Ground Anchor Plate) which is cast into the concrete, is available.
3. Connect flexible drain tube to mains waste or into the open ended drain tube (if soak away is allowed). Connect the 1/2" supply fitting to a potable water supply. Then tilt the unit into place, making sure that the Tubing is not pinched or kinked. Secure the Base Flange to the Mounting Pad with provided hardware.
4. Connect the Battery Pack to matching battery wire terminals from valve and button. When connected the unit is active.
5. Test for leaks and proper operation, and then install the Access Panel.

START UP:

Air within the Bottle Filler System or the structure supply piping will cause an irregular spout outlet stream until purged out by incoming water. Activate button until steady water stream is achieved.

OPERATION INSTRUCTIONS:

Hand operation: Hold container to be filled just below the Filler Tube in the center of the unit, then push push button. Unit will dispense water for approx 8 seconds and will stop automatically. Either press again for more water, pressing the button whilst water is running will turn off the valve. Valve timing can be adjusted with the instructions at the end of the instruction manual.



Please visit www.murdockmfg.com
for most current specifications.

MURDOCK MFG. • 15125 Proctor Avenue • City of Industry, CA 91746 USA
Phone 800-453-7465 or 626-333-2543 • Fax 626-855-4860 • www.murdockmfg.com

Member of
MORRIS GROUP
INTERNATIONAL



Outdoor Bottle Fillers

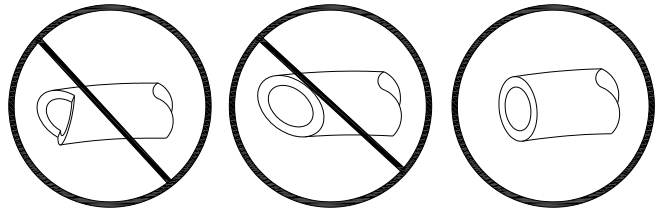
INSTALLATION/MAINTENANCE INSTRUCTIONS

PUSH-IN FITTING INSTALLATION

NOTE: FITTINGS AND TUBE SHOULD BE KEPT CLEAN, BAGGED AND UNDAMAGED PRIOR TO INSTALLATION.

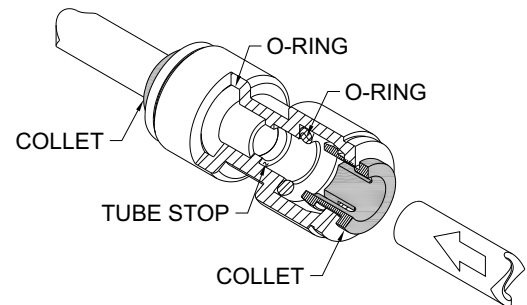
TO CUT TUBE:

Cut to fit length of 1/4" Polyethylene (PE) Tubing and remove any burrs or sharp edges. Ensure that the outside diameter is free from score marks. Tube ends should be square.

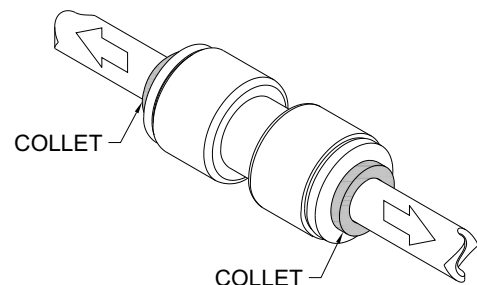


INSERTING THE TUBE:

1. Firmly and fully insert the Tubing End into the Push-In Fitting up to the Tube Stop located approximately 1/2" deep.

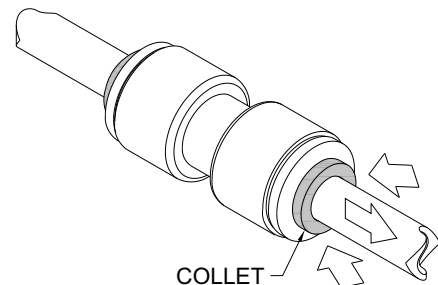


2. Pull on the fitted Tubing to ensure it is secure. Tube should not come free from the Fitting. Water test the connection assembly prior to leaving the site to ensure there are no leaks.



DISCONNECTING THE TUBE:

Before disconnecting the Tube from the Fitting, ensure that the water line is depressurized. Push Collet square towards the Push-In Fitting Body and hold. While holding the Collet in, pull on the PE Tubing to remove from the Push-In Fitting.



Please visit www.murdockmfg.com for most current specifications.



Outdoor Bottle Fillers

INSTALLATION/MAINTENANCE INSTRUCTIONS

TROUBLE SHOOTING:

1. RESTRICTED OR NO WATER FLOW:

- a. Ensure Water Supply service stop valve is fully open.
- b. Verify minimum 20 PSIG supply line flow pressure.
- c. Check for twist or kinks in spout tubing.
- d. Check the mesh strainer in the inlet connection for the solenoid valve. Sediment from the main supply can get trapped in the screen along with installation materials such as pipe dope and flux.

CLEANING & MAINTENANCE GUIDE:

For Powder coated units: Units should be cleaned using a mild soap solution with a sponge or cotton cloth. Wipe down surfaces then rinse with clean water.

For Stainless steel units:

1. To Remove water spots or rust spots, stainless steel cleaner/polish on a cloth is recommended.
2. If there are stubborn spots or if you wish to treat a scratch, synthetic abrasive general purpose pads such as Scotch-Brite™ are recommended.
3. Apply stainless steel cleaner/ polish to the synthetic abrasive pads and carefully rub the panel in the direction of the grain pattern.
4. **DO NOT** use harsh chemicals, abrasive or petroleum based cleaners. Use of these will void the Murdock warranty. **DO NOT** use abrasives on powder coated units.
5. Stainless steel should be kept clean at all times. If a coating of stainless steel cleaner/ polish is maintained, stainless steel surfaces will retain their new, clean, polished appearance indefinitely.

Please visit www.murdockmfg.com
for most current specifications.

MURDOCK MFG. • 15125 Proctor Avenue • City of Industry, CA 91746 USA
Phone 800-453-7465 or 626-333-2543 • Fax 626-855-4860 • www.murdockmfg.com

Member of  MORRIS GROUP
INTERNATIONAL

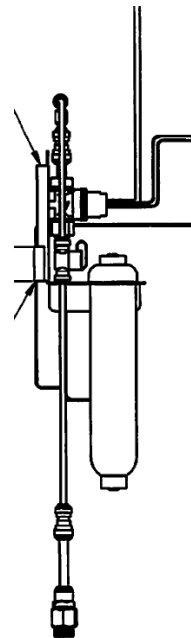


Outdoor Bottle Fillers

INSTALLATION/MAINTENANCE INSTRUCTIONS

OPTIONAL WATER FILTER CARTRIDGE REPLACEMENT:

1. Remove six (6) Screws that holds the Bottom Access Panel to the unit, this allows access to the Filter.
2. Isolate the water supply.
3. Remove push fit pipework from each end of the water filter.
4. Remove filter from bracket.
5. Place new filter in the bracket.
6. Reattach both pipes.
7. Turn on water supply.
8. Test for leaks and proper operation, then install the Bottom Access Panel back onto unit.



Please visit www.murdockmfg.com
for most current specifications.

MURDOCK MFG. • 15125 Proctor Avenue • City of Industry, CA 91746 USA
Phone 800-453-7465 or 626-333-2543 • Fax 626-855-4860 • www.murdockmfg.com

Member of
MORRIS GROUP
INTERNATIONAL



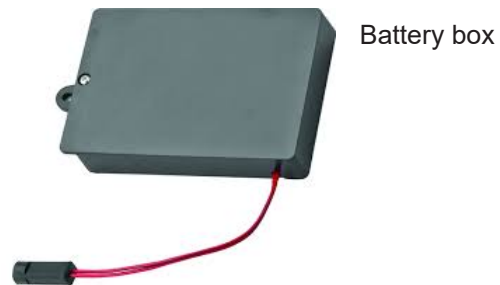
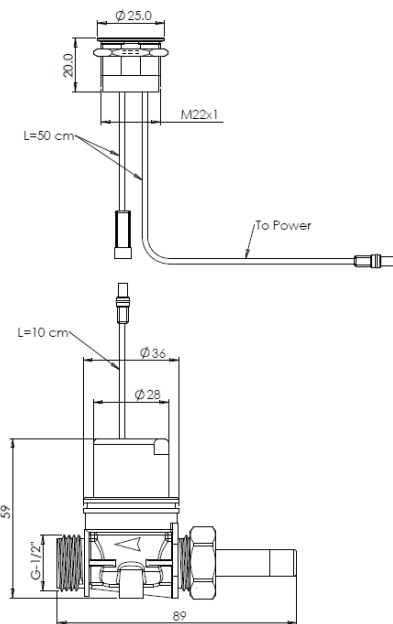
Outdoor Bottle Fillers

INSTALLATION/MAINTENANCE INSTRUCTIONS

BATTERY REPLACEMENT:

1. Remove the Bottom Access Panel from the back of the unit and remove the Battery Pack out of the unit. Do not disconnect the Wires from the Battery Pack unless necessary.
2. Replace the six (6) Alkaline AA Batteries while observing polarity.
3. Put the Battery Pack back in the unit and test for proper operation. Then re-install the Access Panel.

WIRING DIAGRAM:



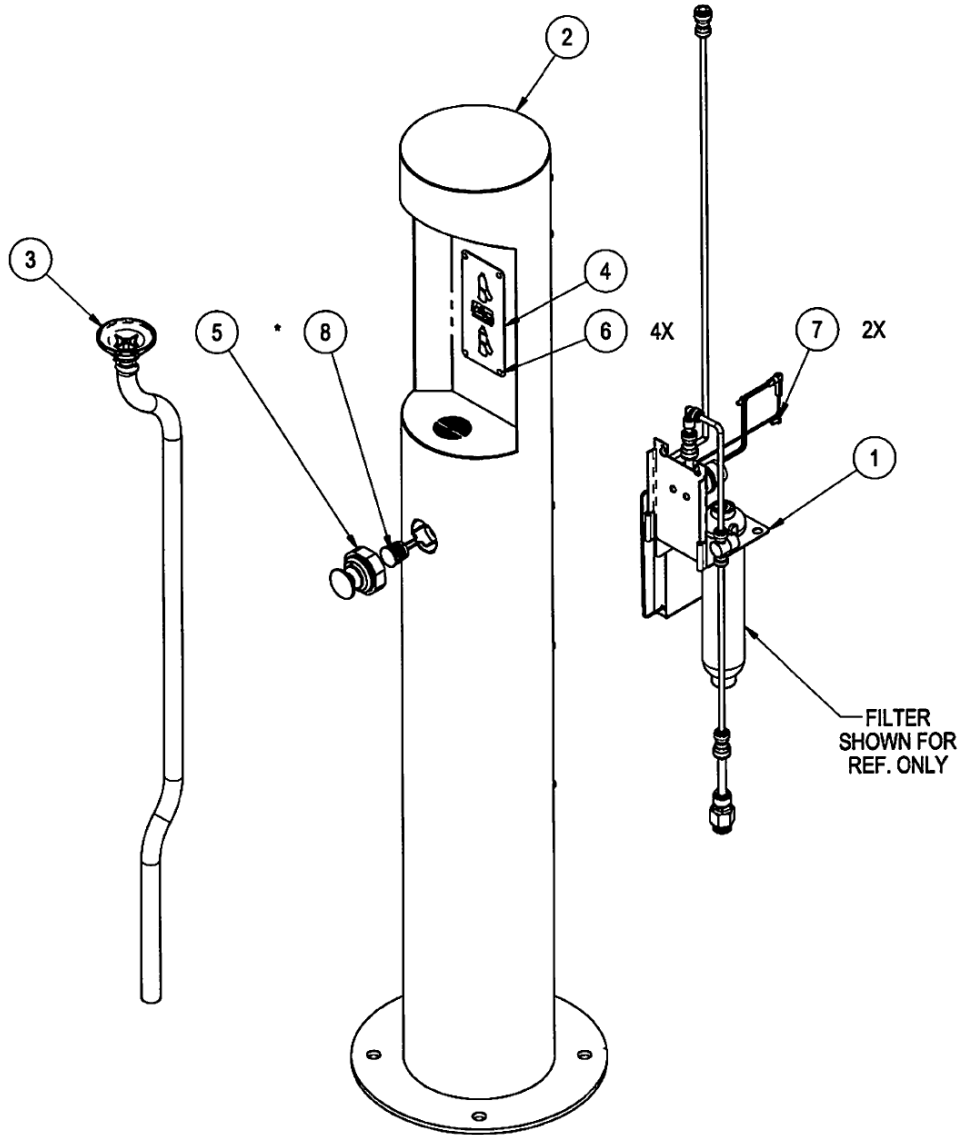
Please visit www.murdockmfg.com
for most current specifications.



Outdoor Bottle Fillers

INSTALLATION/MAINTENANCE INSTRUCTIONS

OUTDOOR BOTTLE FILLER PARTS BREAKDOWN DRAWING:



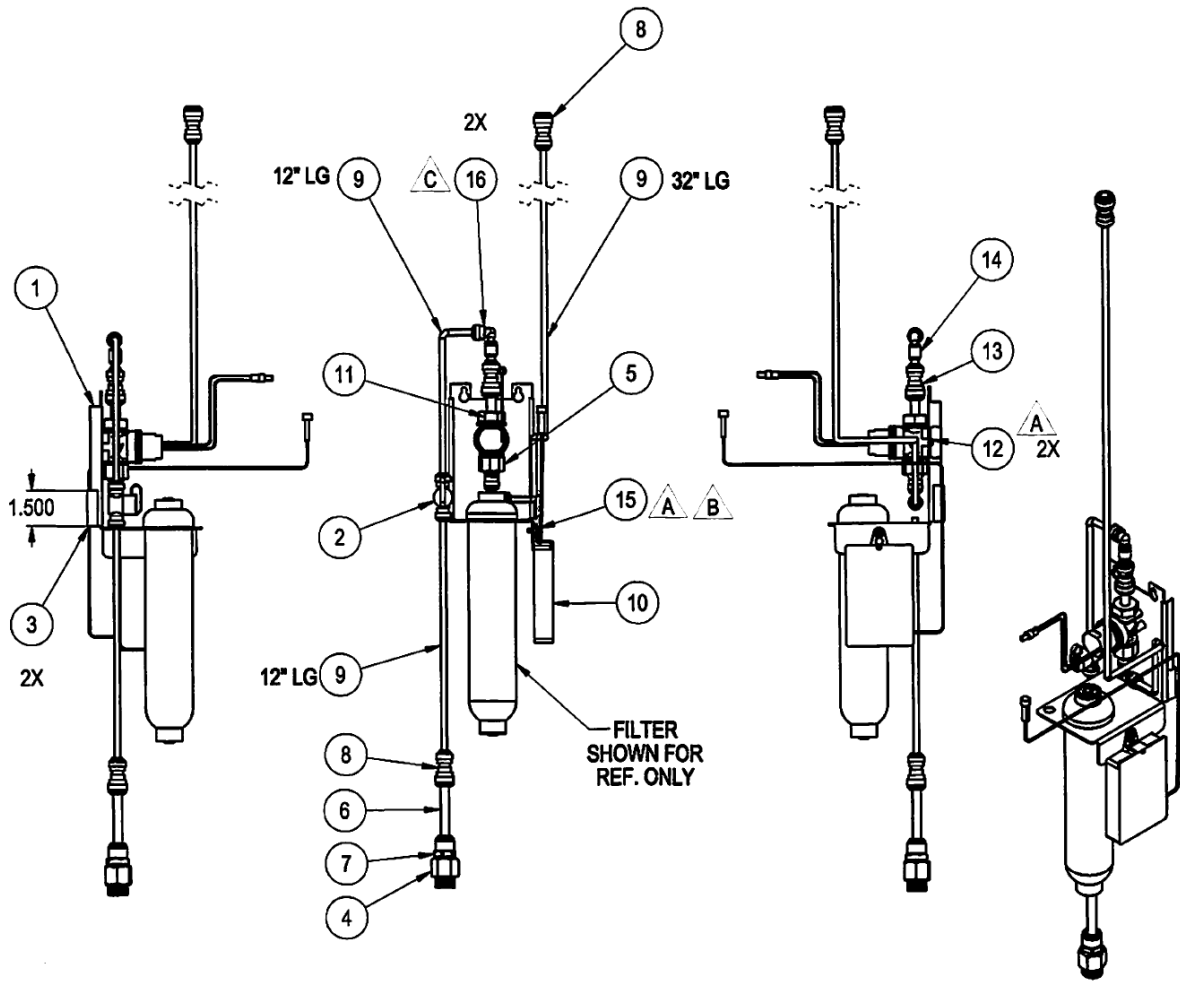
* STERN VALVE AND PIEZO CALLED OUT ON VALVE ASSEMBLY

8	SEE B/M	STERN APS PIEZO FAUCET	1
7	0112-011-000	SCR, 10-32 X 3/8" BTN HD ALN NO/CNTR RJCT PIN	2
6	0341-009-000	1/8" DIA. X 1/4" LONG STN STL POP RIVET	4
5	2566-720-001	WELDED PUSHBTN / PIEZO-UK	1
4	7013-032-000	GRAPHICS PLATE, MURDOCK, BF4	1
3	7013-074-001	WASTE ASSY BOTTLE FILLER	1
2	7013-175-002	SS OUTDOOR BOTTLE FILLER PB ONLY, POLISH	1
1	7013-405-001	M-OBFM4 BOTTLE FILLER WATER SUPPLY-UK	1
ITEM	PART NUMBER	DESCRIPTION	QTY



Outdoor Bottle Fillers

INSTALLATION/MAINTENANCE INSTRUCTIONS



FRONT VIEW

ISOMETRIC VIEW

ITEM	PART NUMBER	DESCRIPTION	QTY
△ C	16	1895-709-000 ELBOW, 1/4" PUSH-IN X 1/4" STEM	2
	15	6502-300-000 #8-32 UNC x 3/8" S/S PHIL PAN HD, TYPE 23	1
	14	1895-142-000 STEM TO TUBE FITTING 5/16" STEM O.D. X 1/4" O.D. TUBE	1
	13	1895-143-000 10 MM X 8 MM O.D. TUBE REDUCING UNION PUSH-IN METRIC	1
	12	0124-056-000 #8 x 3/8" S/S PHIL HD SHEET METAL SCREW	2
	11	0709-075-000 STERN APS SOLENOID VALVE	1
	10	0710-365-000 BLACK BATTERY BOX 6 X 1.5V-M	1
	9	2169-000-000 1/4" O.D LLDPE TUBING (BLUE)	4.67
	8	1895-123-000 1/4" X 3/8" O.D. TUBE UNION PUSH-IN	2
	7	1895-126-000 3/8" OD x 1/4" NPT PUSH-IN FITTING	1
	6	2170-002-500 3/8" OD LOW DENSITY PE TUBING X 2.5"	1
	5	1895-141-000 1/4" O.D. TUBE TAP ADAPTOR X 1/2" BSPP	1
	4	2993-415-199 1/2"BSPP x 1/4" NPT ADAPTER	1
	3	4389-012-000 PROTECTIVE VINYL EDGE TRIM	2
	2	7000-420-000 1/4 TURN SHUTOFF VALVE	1
	1	7013-406-199 M-OBF4-UK VALVE/FILTER/BAT MNT CHANNEL S/T	1
ITEM	PART NUMBER	DESCRIPTION	QTY

MURDOCK MFG. • 15125 Proctor Avenue • City of Industry, CA 91746 USA
 Phone 800-453-7465 or 626-333-2543 • Fax 626-855-4860 • www.murdockmfg.com

Member of
 MORRIS GROUP INTERNATIONAL

Outdoor Bottle Fillers

INSTALLATION/MAINTENANCE INSTRUCTIONS

SINCE 1853

FLOW TIME ADJUSTMENT

Adjustment levels

The flow time is programmable on site. If necessary, the default flow time of 2 minutes can be adjusted to any value between 5 to 2600 seconds. The adjustment mechanism is composed by 3 adjustment levels for changing the flow time. An indicator light (LED) will guide you from one level to the other.

The following table shows the number of steps in each level, the duration at each step and how to recognize in what adjusting level you are.

	Level 1	Level 2	Level 3	Level 4 <small>enables the hygiene flush option when available</small>	Out of adjusting mode
No. of steps	100 steps	100 steps	100 steps		
Seconds to be increased by touching once	1 second	5 seconds	20 seconds		
Adjustment level indicator	After entering into adjusting mode level 1 is reached	Indicator light blinks twice	Indicator light blinks 3 times	Indicator light blinks 4 times	Indicator light blinks 5 times

How to adjust the flow time at Non- illuminated piezo switches

- 1) If you wish to see the indicator light located at the back of the piezo switch yourself disconnect the hexagonal nut and o-ring from the piezo switch base and pull it out of its location.
- 2) Disconnect the power source and piezo switch connectors.
- 3) Touch the piezo switch twice.
- 4) Then, reconnect the power source and piezo switch connectors.
- 5) The indicator red light (LED) on the back of the Piezo switch will start blinking. After a few blinks the LED will give a steady red light. Touch the Piezo switch when the steady red light is still on to enter into the adjusting mode. When done correctly, the light will stop blinking.

Outdoor Bottle Fillers

INSTALLATION/MAINTENANCE INSTRUCTIONS

SINCE 1853

FLOW TIME ADJUSTMENT

Note: If you do not press the indicated area, the previous adjustment will remain.

6) By touching the Piezo switch a new flow time can be programmed. In adjusting mode level 1, each touch increases the flow time by 1 second with a maximum of 100 seconds. You will see the LED blinking every time that a new step is performed.

7) If your desired flow time is within 100 seconds, no other adjusting levels are needed and you can stop pressing the Piezo switch. The LED will blink 2 times, then 3 times and after 4 times you will exit the adjusting mode. The Piezo switch is now adjusted to the desired flow time.

8) If you need to perform steps at adjusting level 2, wait after you see the LED blink twice and then, perform the needed quantity of steps (with a maximum of 100 steps of 5 seconds).

If you do not need more levels, stop pressing. The indicator light will blink 3 times and after 4 times you will leave the adjusting mode. The Piezo switch is now adjusted to the desired flow time.

9) If you need to perform steps at adjusting level 3, wait after you see the LED blink 3 times and then, perform the needed quantity of steps (with a maximum of 100 steps of 20 seconds).

10) To leave the adjusting mode wait until the LED blinks 4 times. The Piezo switch is adjusted to the desired flow time.